

Technical data sheet



Product features

Vodní lázeň 2 nádoby suchá

Model	SAP Code	00015057
--------------	-----------------	----------

- Basin volume [l]: 4,5
- Drain: No
- Material: Stainless steel
- Protection of controls: IPX4
- Maximum device temperature [°C]: 90

SAP Code	00015057	Net Weight [kg]	11.00
Net Width [mm]	300	Power electric [kW]	0.400
Net Depth [mm]	600	Loading	230 V / 1N - 50 Hz
Net Height [mm]	350	Basin volume [l]	4,5

Technical data sheet

Technical drawing

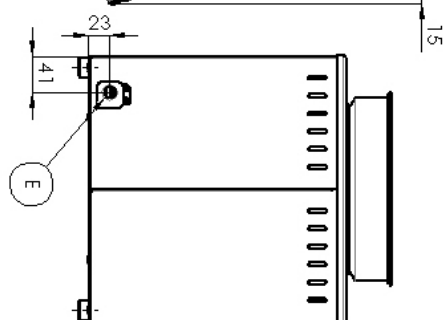
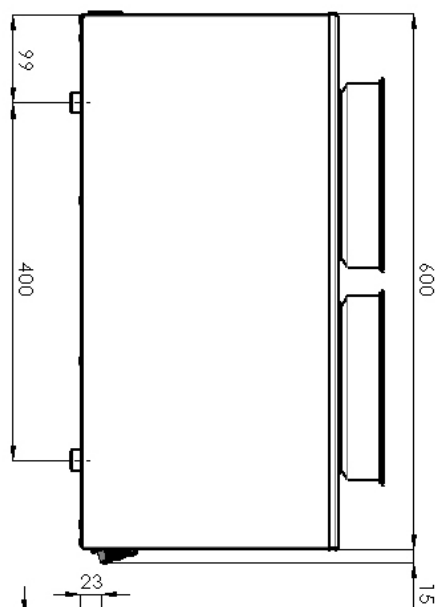
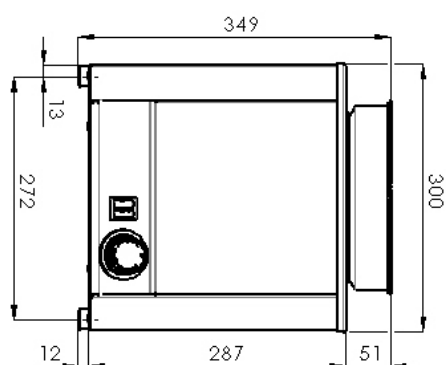


Vodní lázeň 2 nádoby suchá

Model

SAP Code

00015057



Technical data sheet



Technical parameters

Vodní lázeň 2 nádoby suchá

Model

SAP Code

00015057

1. SAP Code:

00015057

2. Net Width [mm]:

300

3. Net Depth [mm]:

600

4. Net Height [mm]:

350

5. Net Weight [kg]:

11.00

6. Gross Width [mm]:

340

7. Gross depth [mm]:

670

8. Gross Height [mm]:

490

9. Gross Weight [kg]:

12.00

10. Device type:

Electric unit

11. Construction type of device:

Table top

12. Power electric [kW]:

0.400

13. Loading:

230 V / 1N - 50 Hz

14. Protection of controls:

IPX4

15. Material:

Stainless steel

16. Indicators:

operation and warm-up

17. Basin volume [l]:

4,5

18. Volume capacity of the container [l]:

4.50

19. Maximum device temperature [°C]:

90

20. Minimum device temperature [°C]:

30

21. Number of basins:

2

22. Drain:

No

23. Heating location:

Under the bottom of the bathtub